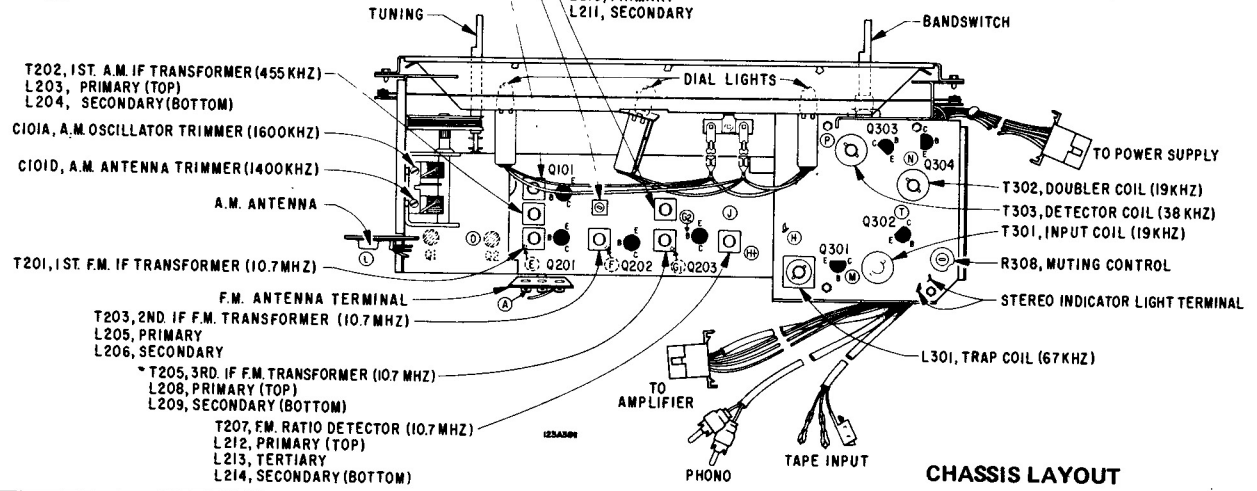
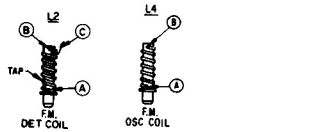
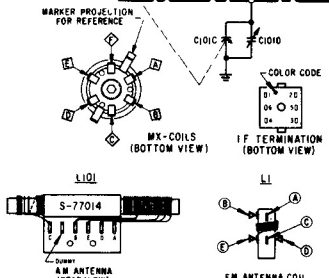


10ZT30 - SCHEMATIC



CHASSIS LAYOUT

